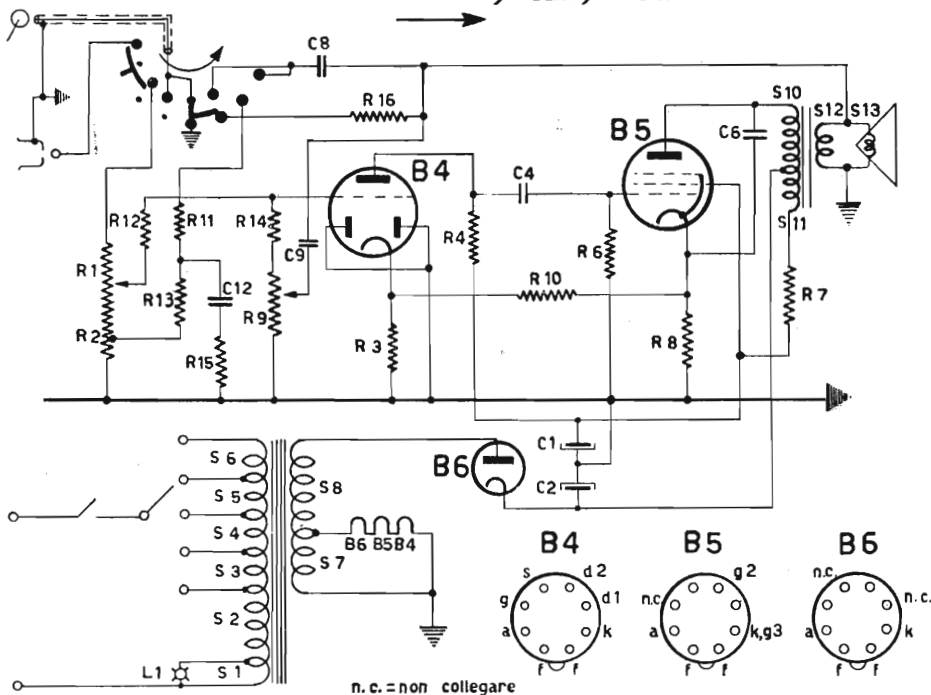


Microfono /- Bassi /+ Bassi



n.c. = non collegare

Componenti elettrici

S1 sp. 35	R1 0,45M Ω Potenz. volume	R12 0,1 M Ω 1/4 W 4855510/100K	C1 50 μ F
S2 sp. 665	R2 0,05M Ω PK 81377	R13 56000 Ω 1/4 W 4855510/56K	C2 50 μ F 4831707/50+50
S3 sp. 120	R3 2700 Ω 1/4 W 4855510/2K7	R14 10000 Ω 1/4 W 4855510/10K	C4 22000 pF 4875120/22K
S4 sp. 110	R4 0,27M Ω 1/4 W 4855510/270K	R15 2700 Ω 1/4 W 4855510/2K7	C6 10000 pF 4875220/10K
S5 sp. 110	R6 1 M Ω 1/4 W 4855510/1M	R16 27000 Ω 1/4 W 4855510/27K	C8 4700 pF 4875010/4K7
S6 sp. 395	R7 3900 Ω 1 W 4855710/3K9		C9 220 pF 4820320/220E
S7 sp. 666	R8 165 Ω 1/2 W 4855610/165E		C12 1500 pF 4875010/1K5
S8 sp. 729	R9 0,5 M Ω Reg. Iono - PK 81378		
S10 sp. 1800	R10 68000 Ω 1/4 W 4855510/68K		
S11 sp. 400	R11 56000 Ω 1/4 W 4855510/56K		
S12 sp. 76			
S13			
Trasformatore alimentazione PK 50804 Trasformatore uscita PK 50805 bobina mob. eltop.		B4 UBCC41 B5 UL41 B6 UY41	